



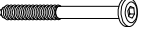
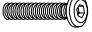
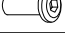

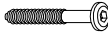



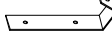



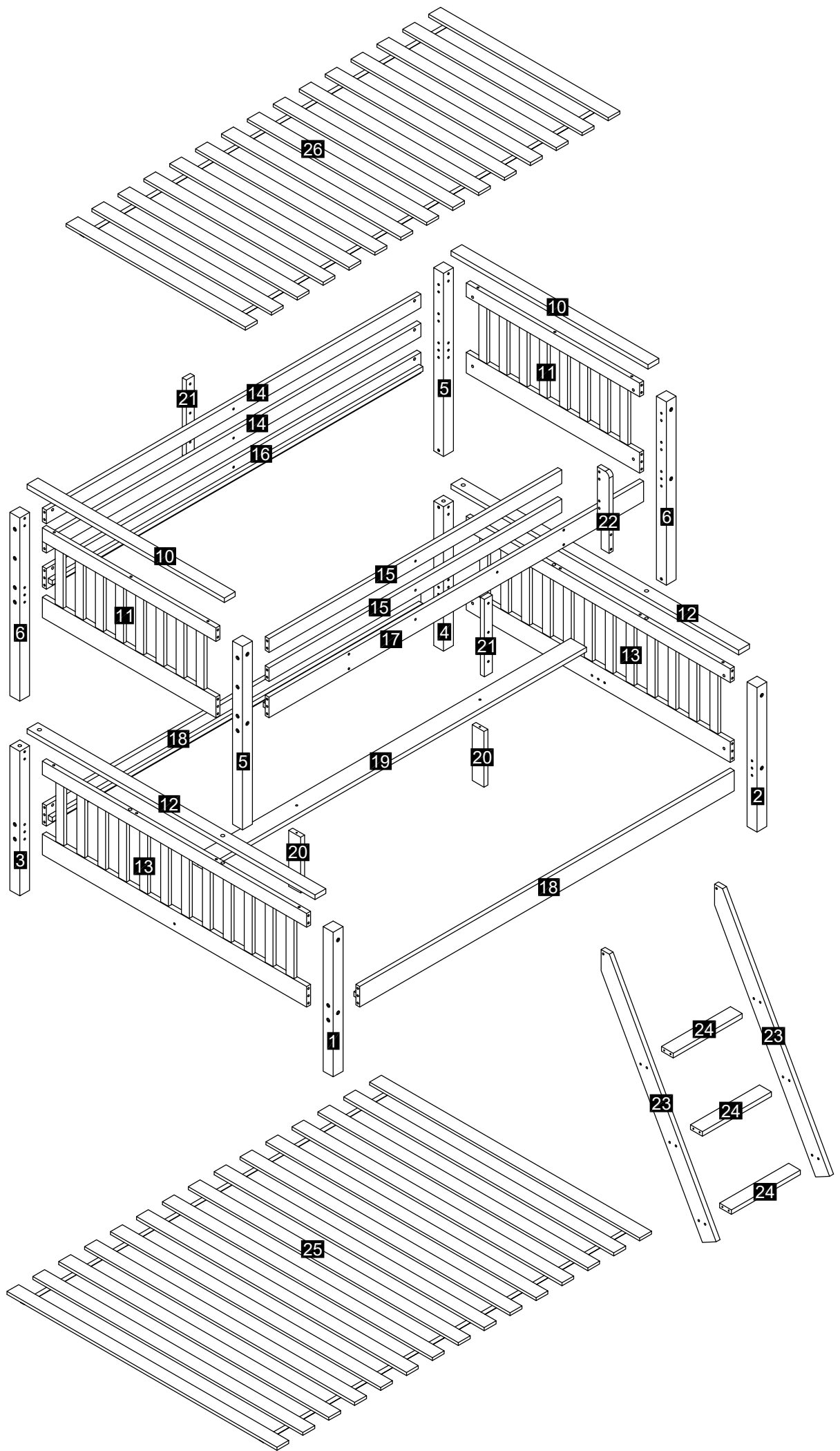
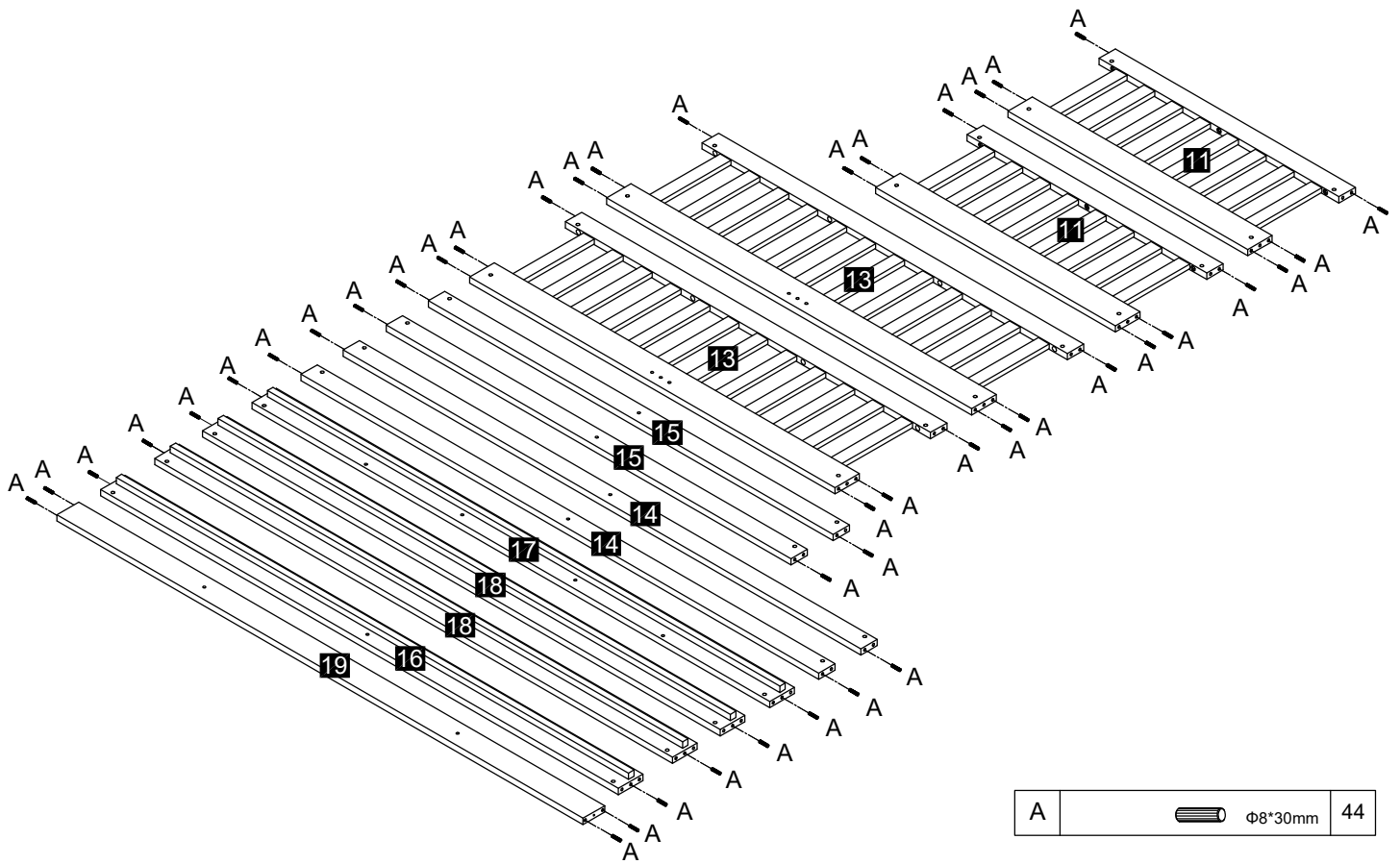



A		Φ8*30mm	44
B		Φ12*80mm	4
C		M6*90mm	38
D			40
E		M6*70mm	14
F		M6*30mm	6
G		M8*20mm	9
H		M6*60mm	2

I		M6*50mm	2
J		Φ7*50mm	16
K		M6*80mm	1
L		Φ4*30mm	66
M			2
N		Φ3.5*16mm	6
O		4 mm	1
P		21mm	47

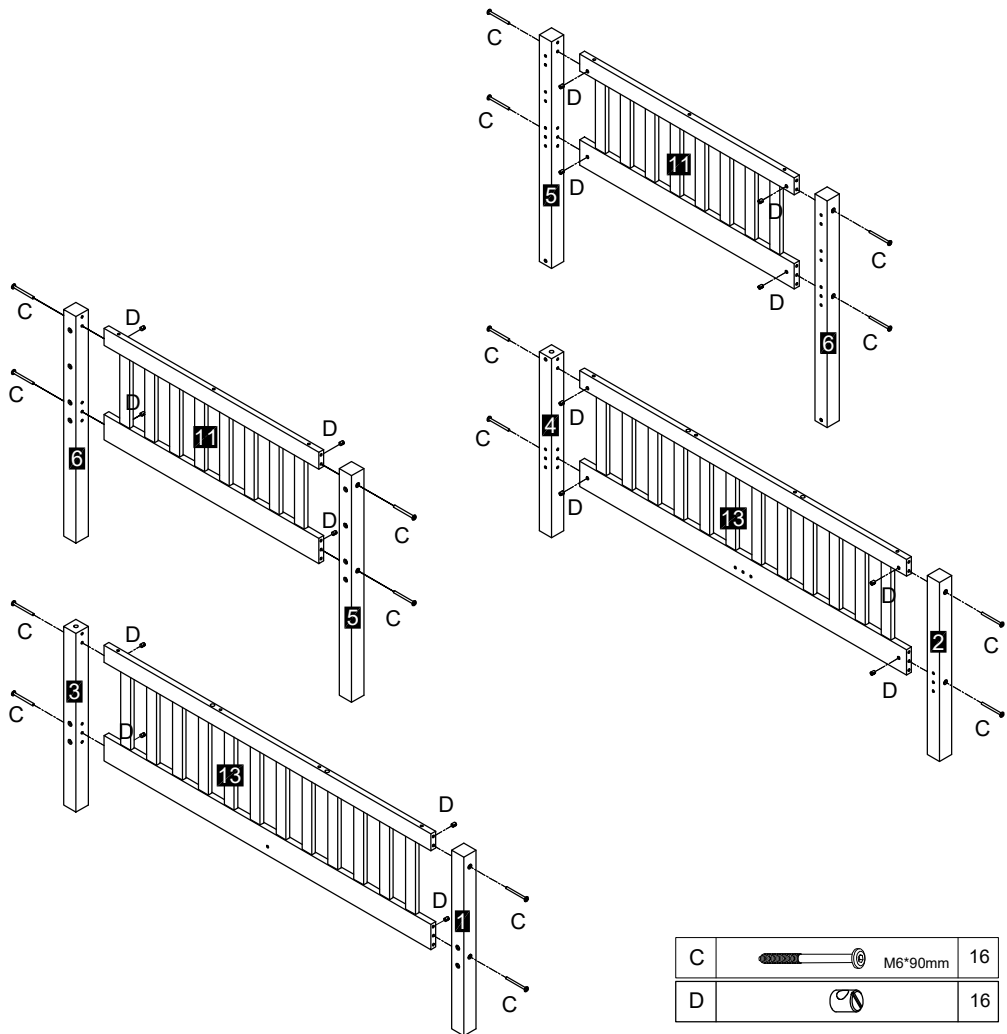




STEP:1



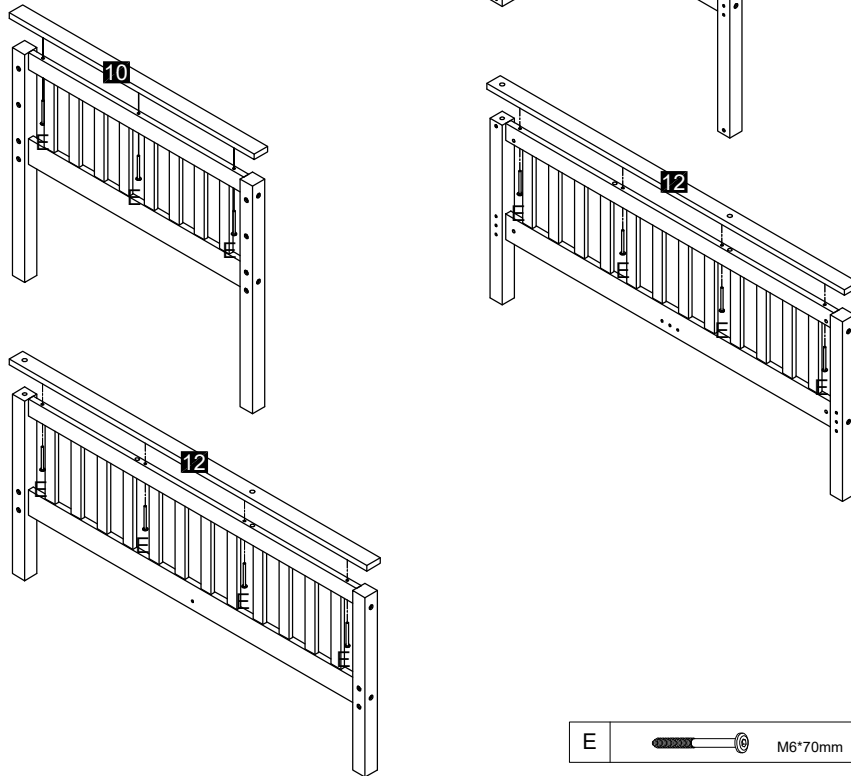
A	 Φ8*30mm	44
---	--	----

STEP:2

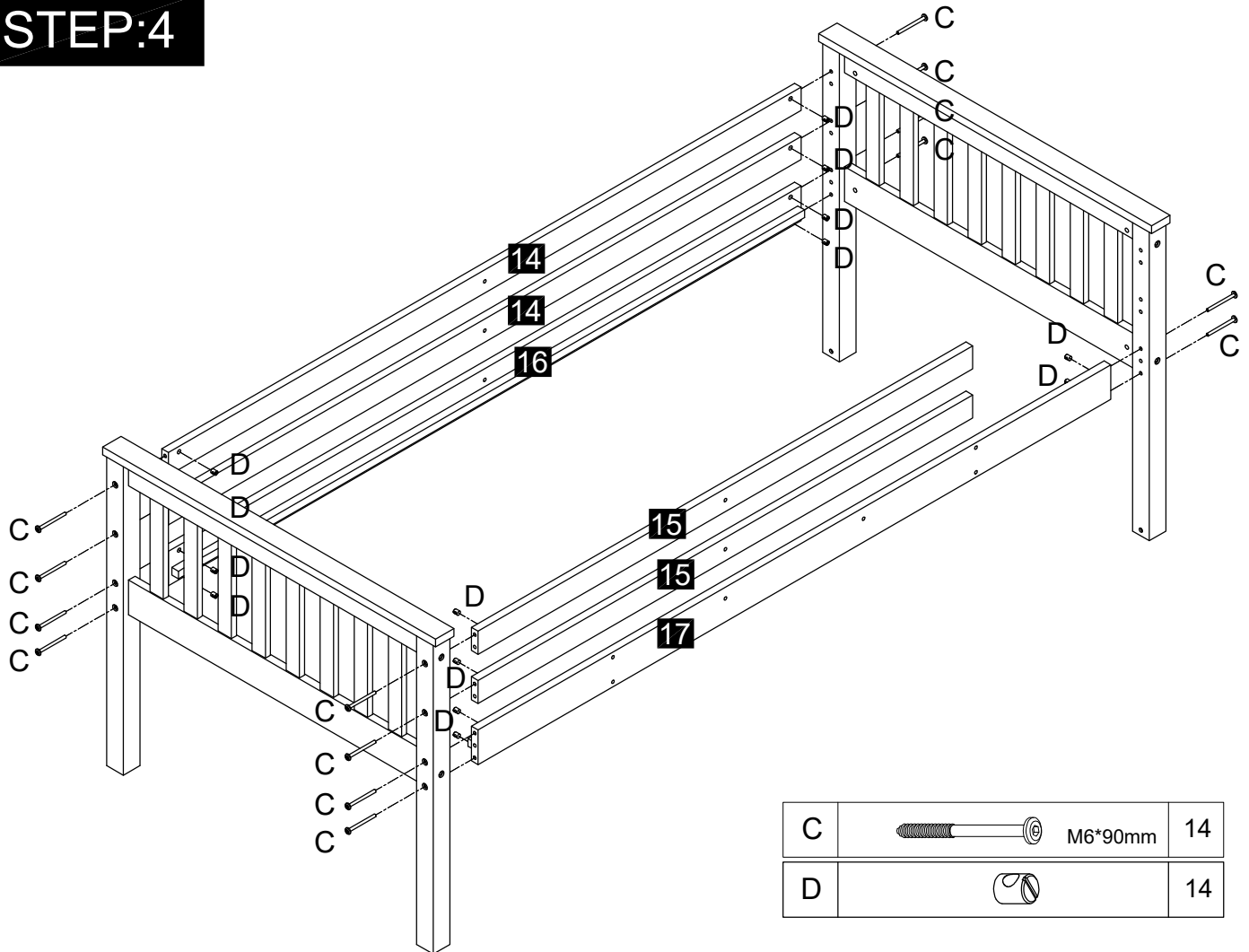


C	 M6*90mm	16
D		16

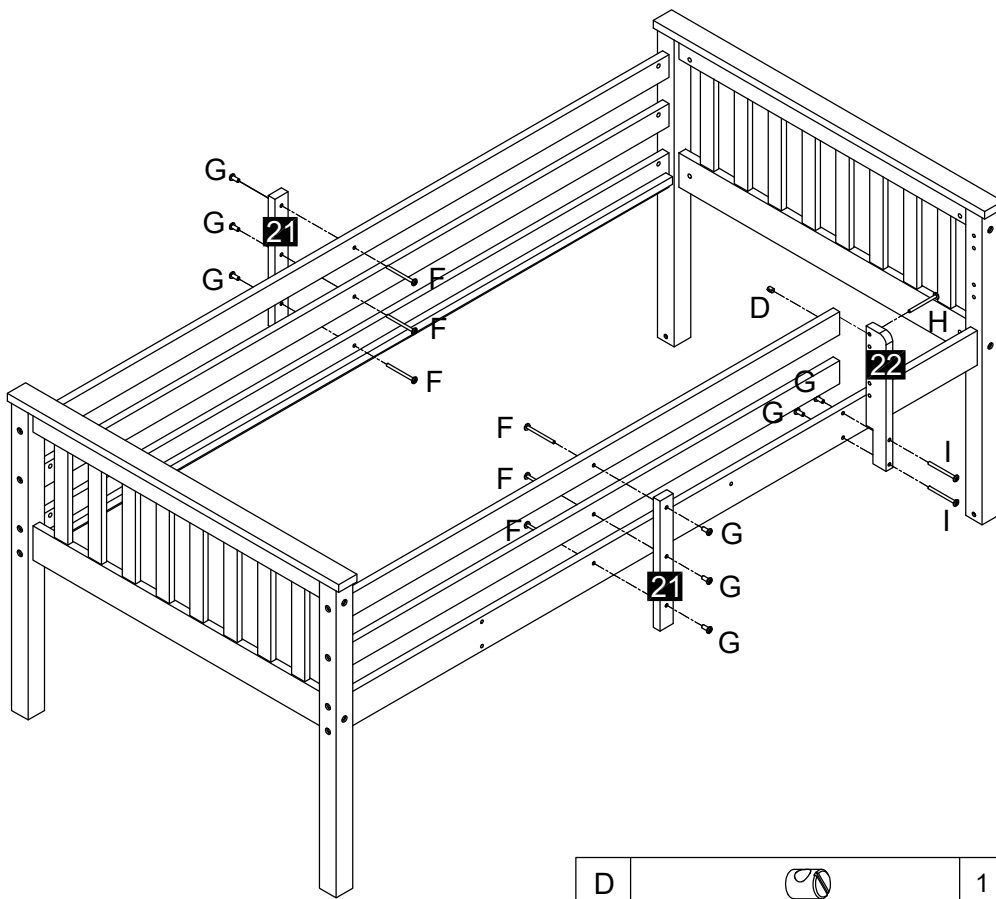
STEP:3








STEP:4



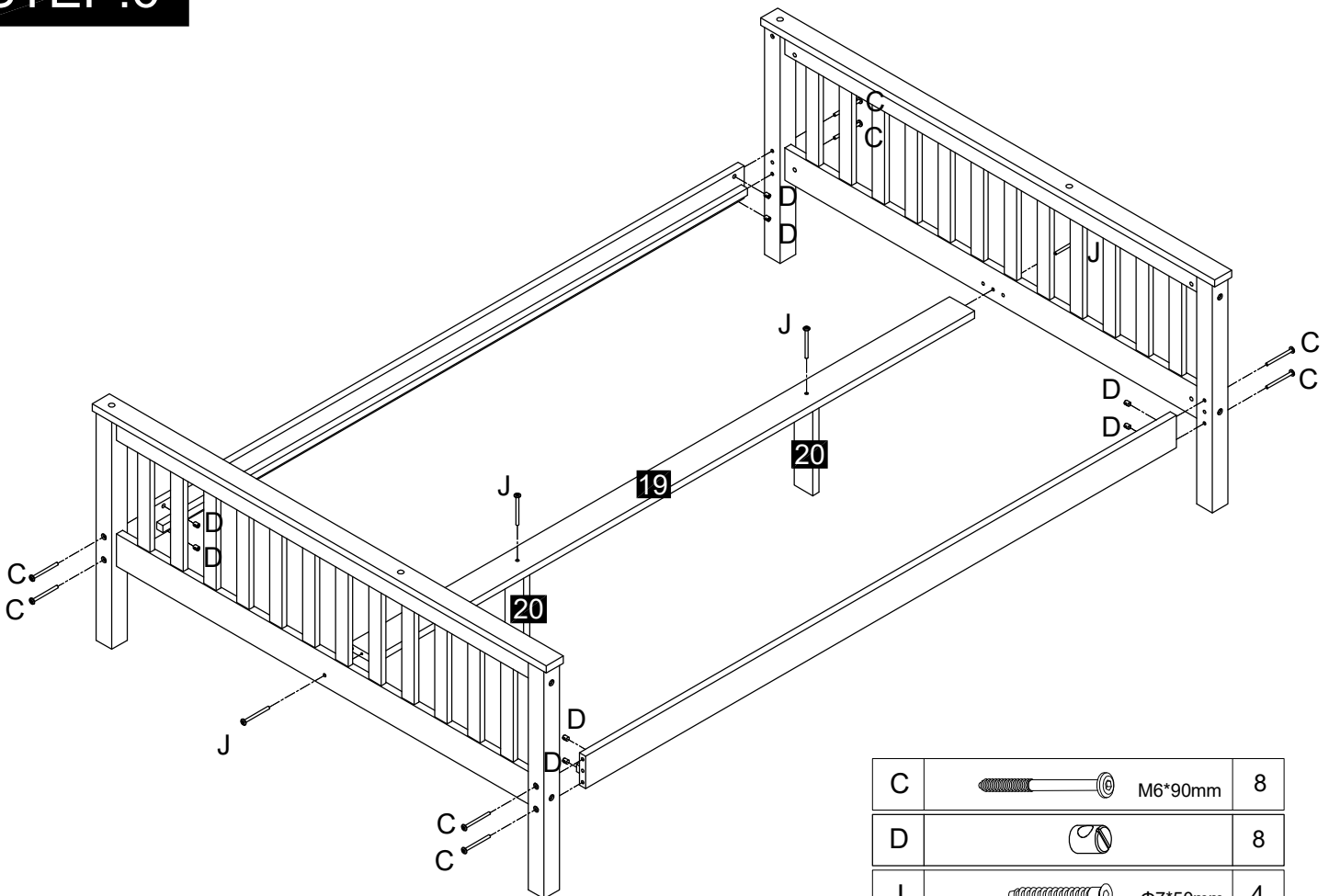
STEP:5






F		M6*30mm	6
H		M6*60mm	1

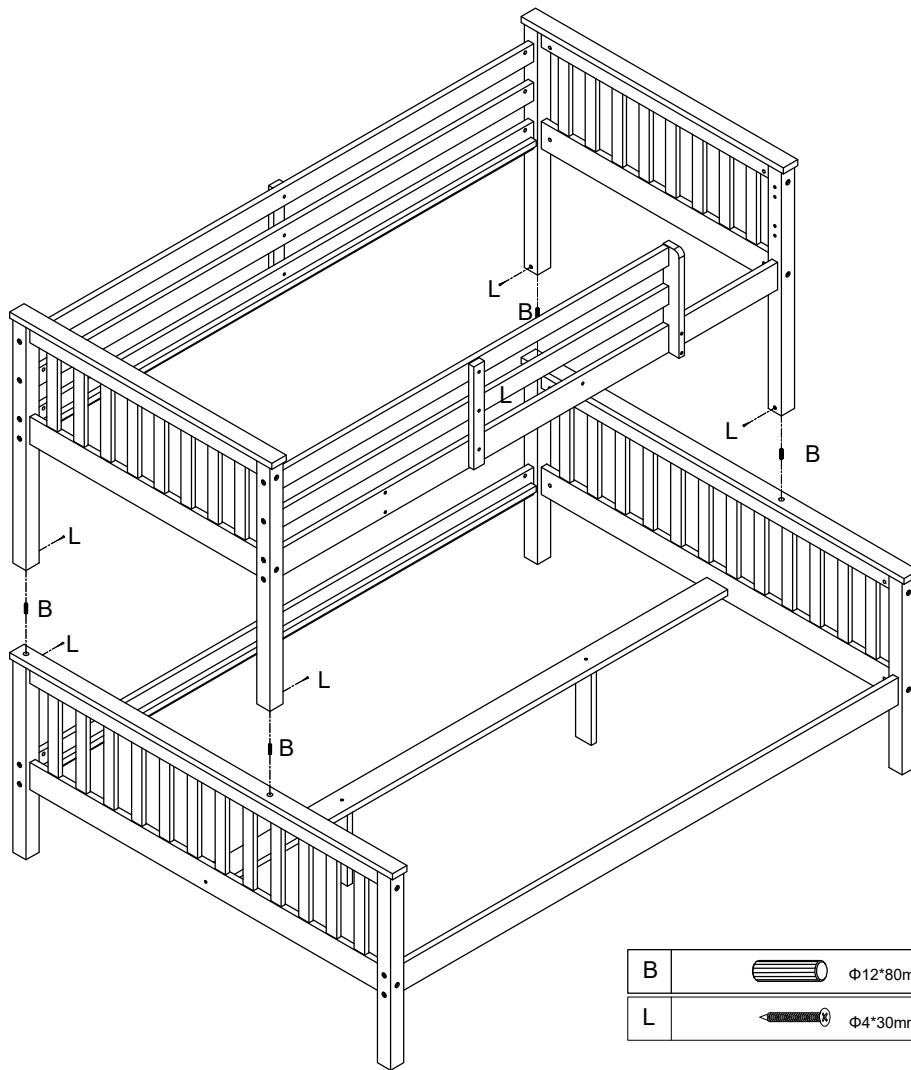
D			1
G		M8*20mm	8
I		M6*50mm	2



STEP:6



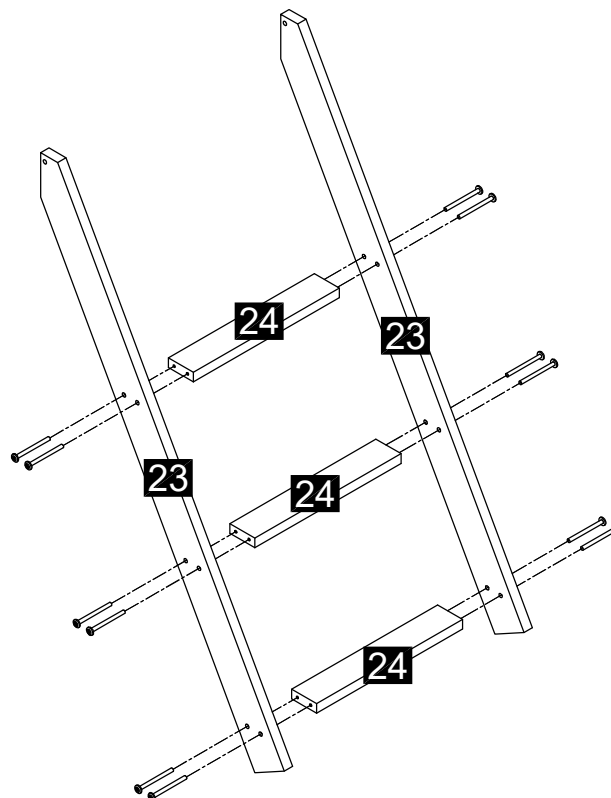
C		M6*90mm	8
D			8
J		Φ7*50mm	4

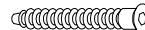
STEP:7



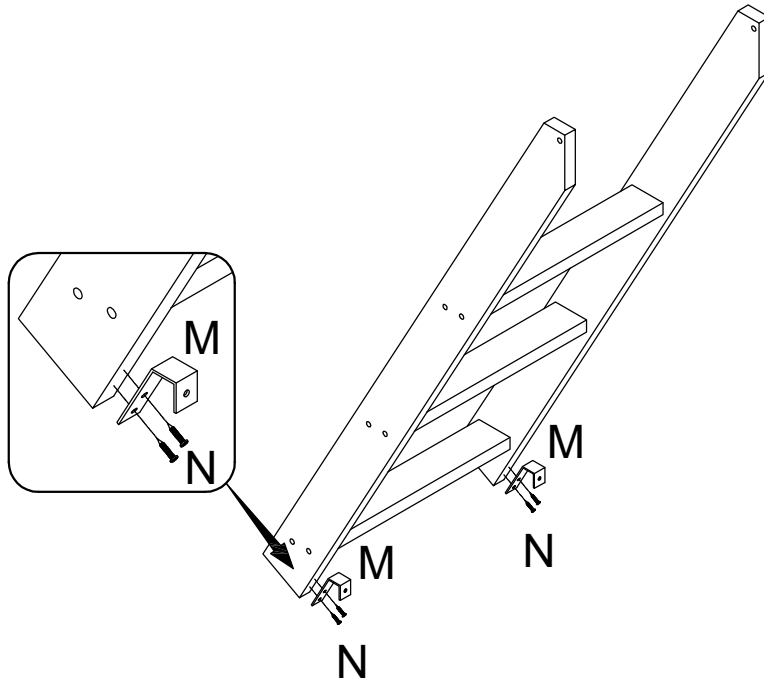
B		Ø12*80mm	4
L		Ø4*30mm	6

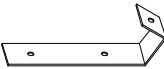

STEP:8



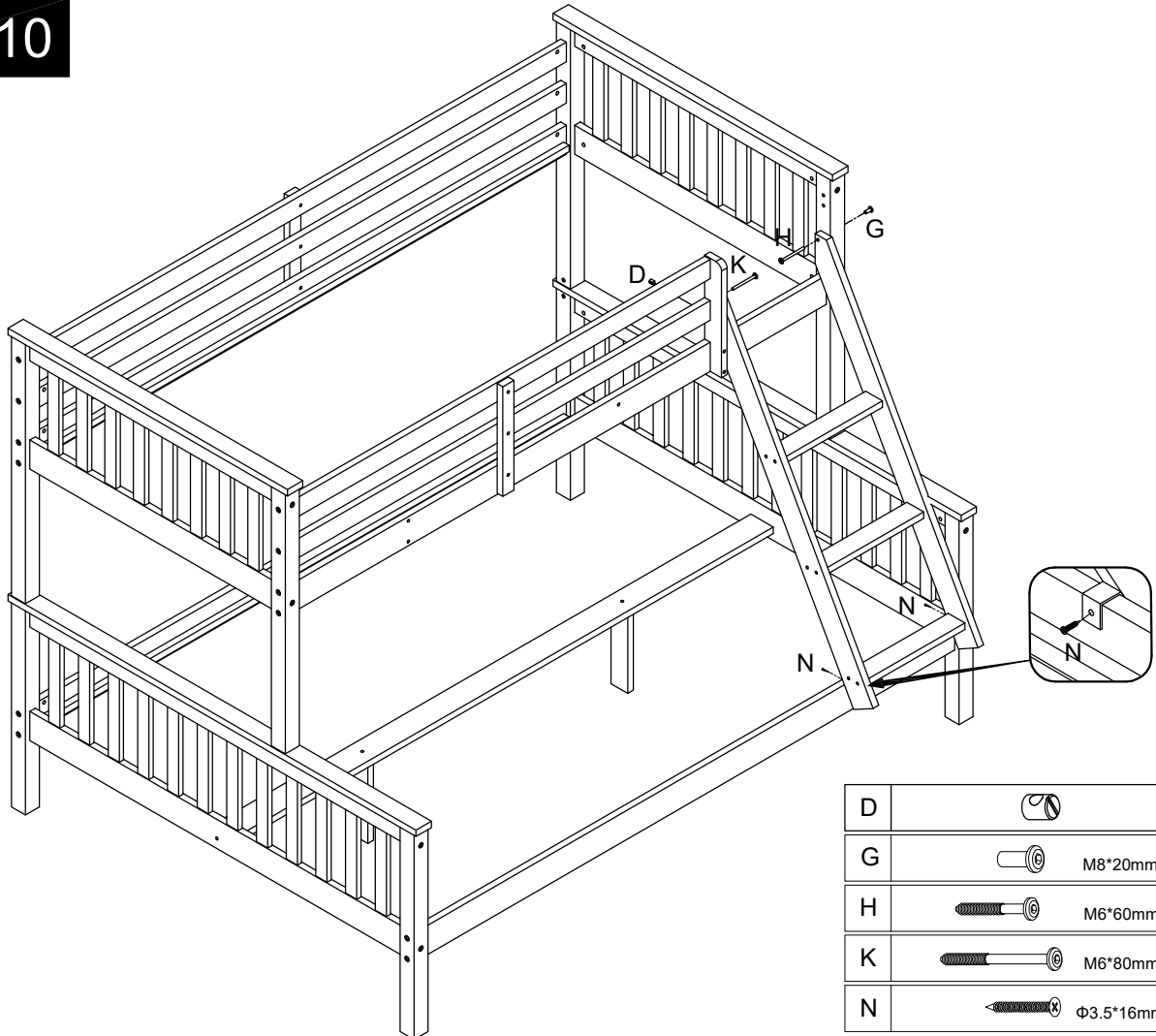
J		Ø7*50mm	12
---	--	---------	----


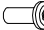



STEP:9



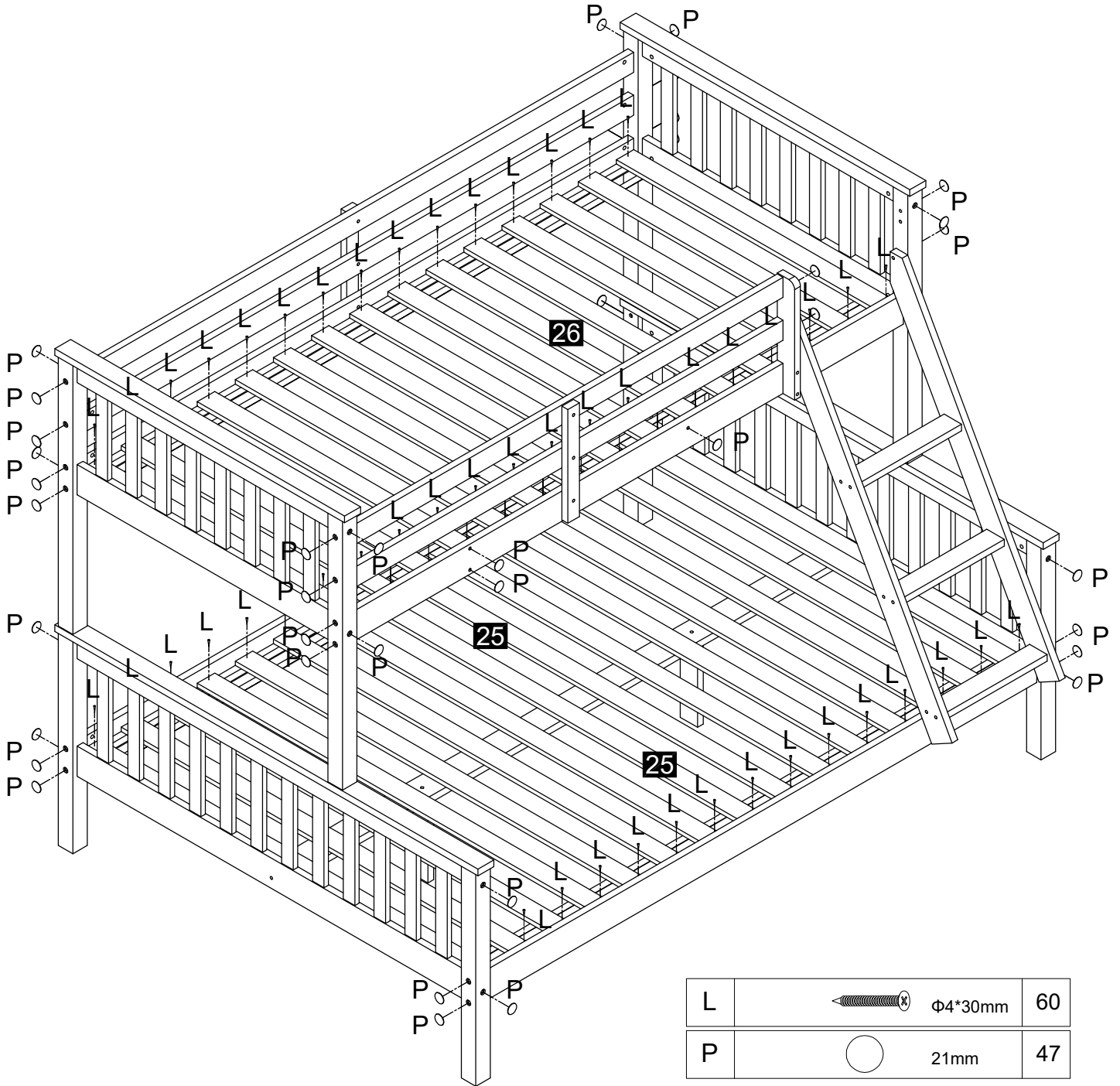
M		2
N	 $\Phi 3.5 \times 16\text{mm}$	4

STEP:10



D		1
G	 M8*20mm	1
H	 M6*60mm	1
K	 M6*80mm	1
N	 $\Phi 3.5 \times 16\text{mm}$	2

STEP:11



INSTRUCTION FOR USE

IMPORTANT – READ CAREFULLY – RETAIN FOR FUTURE REFERENCE

- a) WARNING "High beds and the upper bed of bunk beds are not suitable for children under six years due to the risk of injury from falls";
- b) WARNING "Bunk beds and high beds can present a serious risk of injury from strangulation if not used correctly. Never attach or hang items to any part of the bunk bed that are not designed to be used with the bed, for example, but not limited to ropes, trings, cords, hooks, belts and bags";
- c) WARNING "Children can become trapped between the bed and the wall. a roof picth, the ceiling, adjoining piece of furniture (e.g. cupboards) and the like. To avoid risk of serious injury; the distance between the top safety barrier and the wall shall not exceed 75mm or shall be more than 230 mm";
- d) WARNING " Do not use the bunk bed/high bed if any structural part is broken or missing;
- e) WARNING" Risks of fall attention to downside form the platform
- f) Always follow the manufacturer's instructions; Any wrong assembly of the platform different from the instruction guideline may cause danger.
- g) Recommended size of the mattress(es): _1900__ × _900_ × _100__ mm.the max thickness of the mattress is _130__mm
- h) Ventilation of the room is necessary in order to keep the humidity low and to prevent mould in and around the bed;
- i) Check regularly that all assembly fastenings are properly tightened;
- j) The bed meets the requirements of the standard: EN747-1:2012+A1:2015 & EN747-2:2012+A1:2015