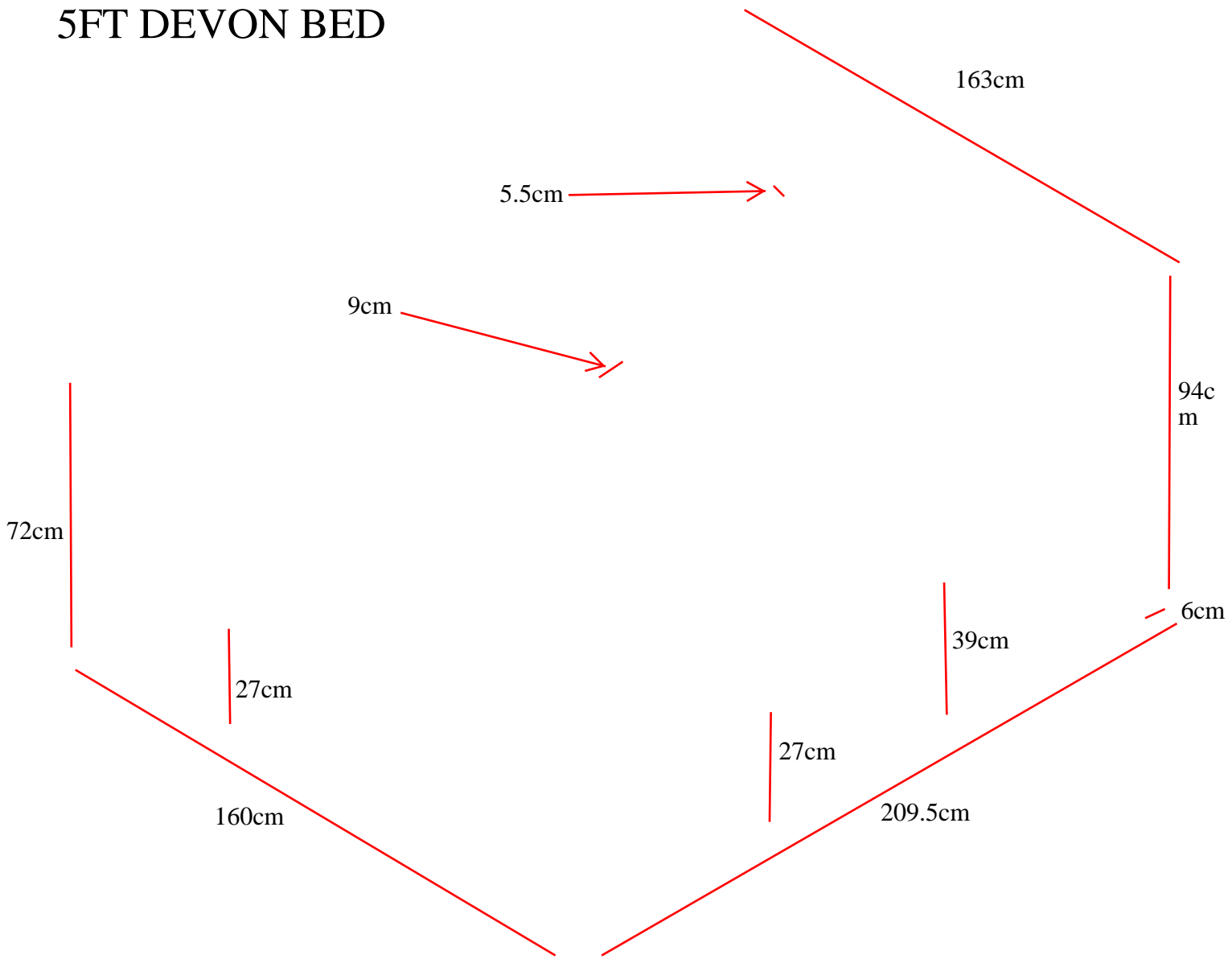
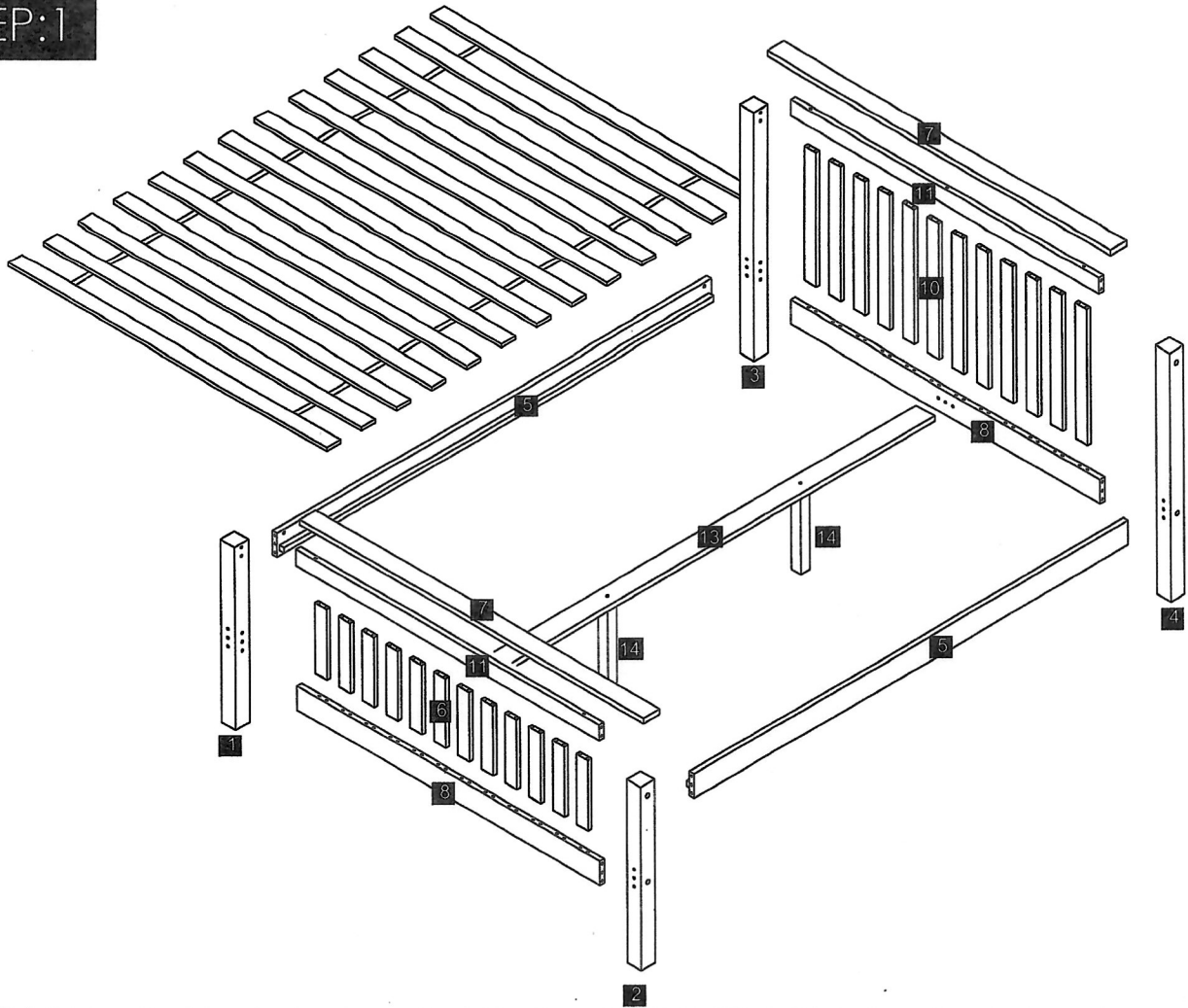


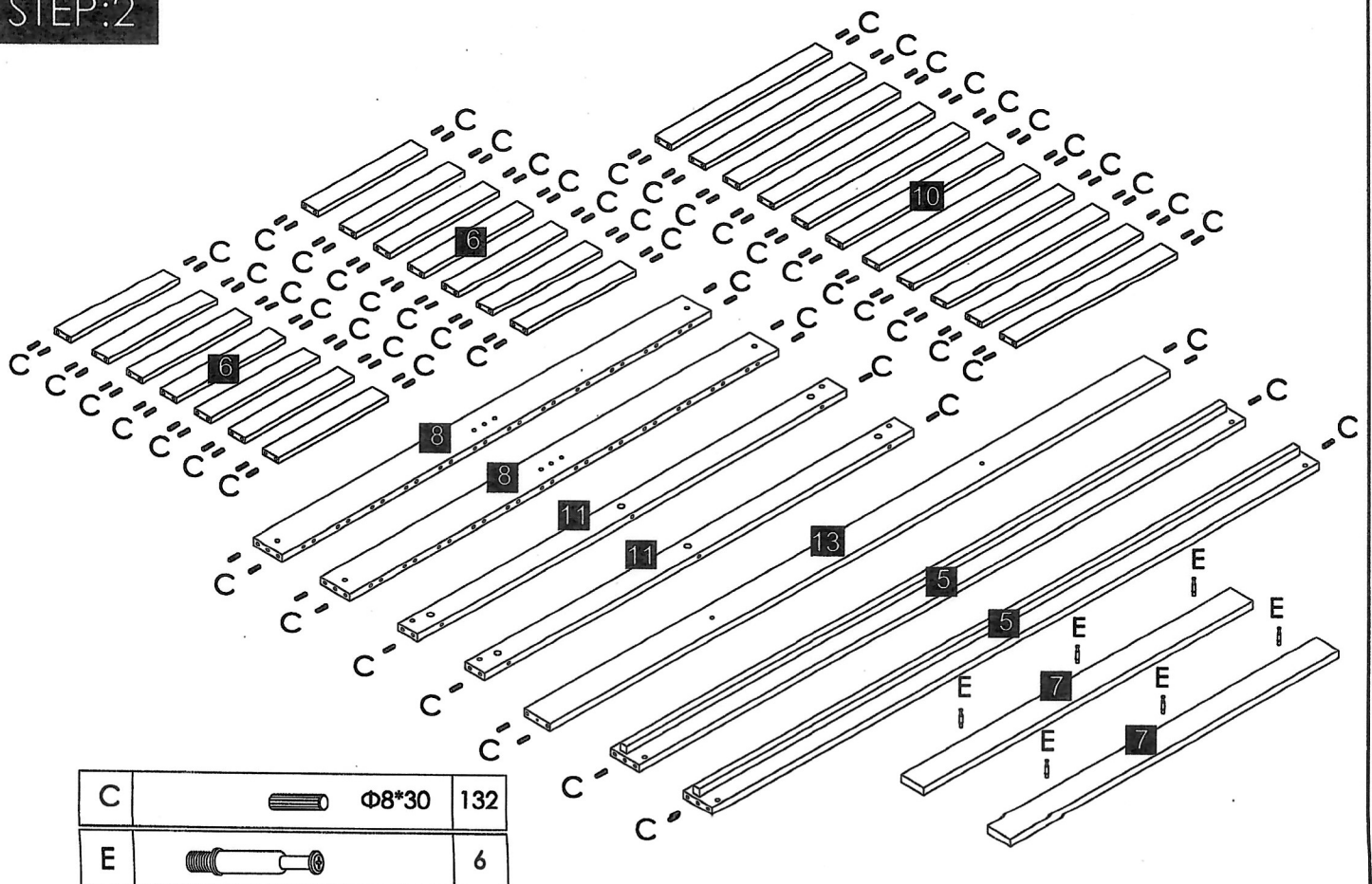
5FT DEVON BED


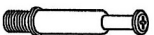


STEP:1

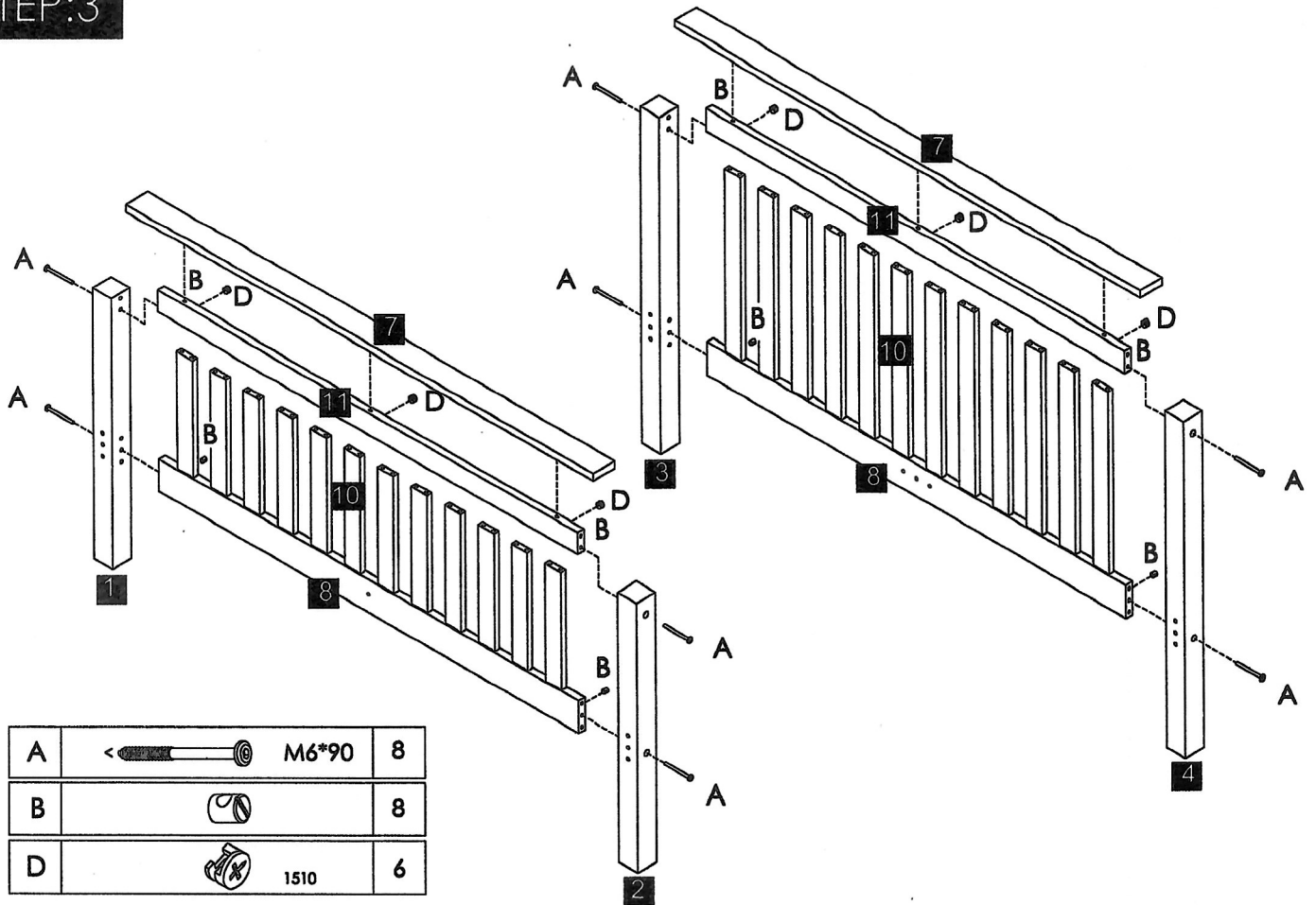


STEP:2

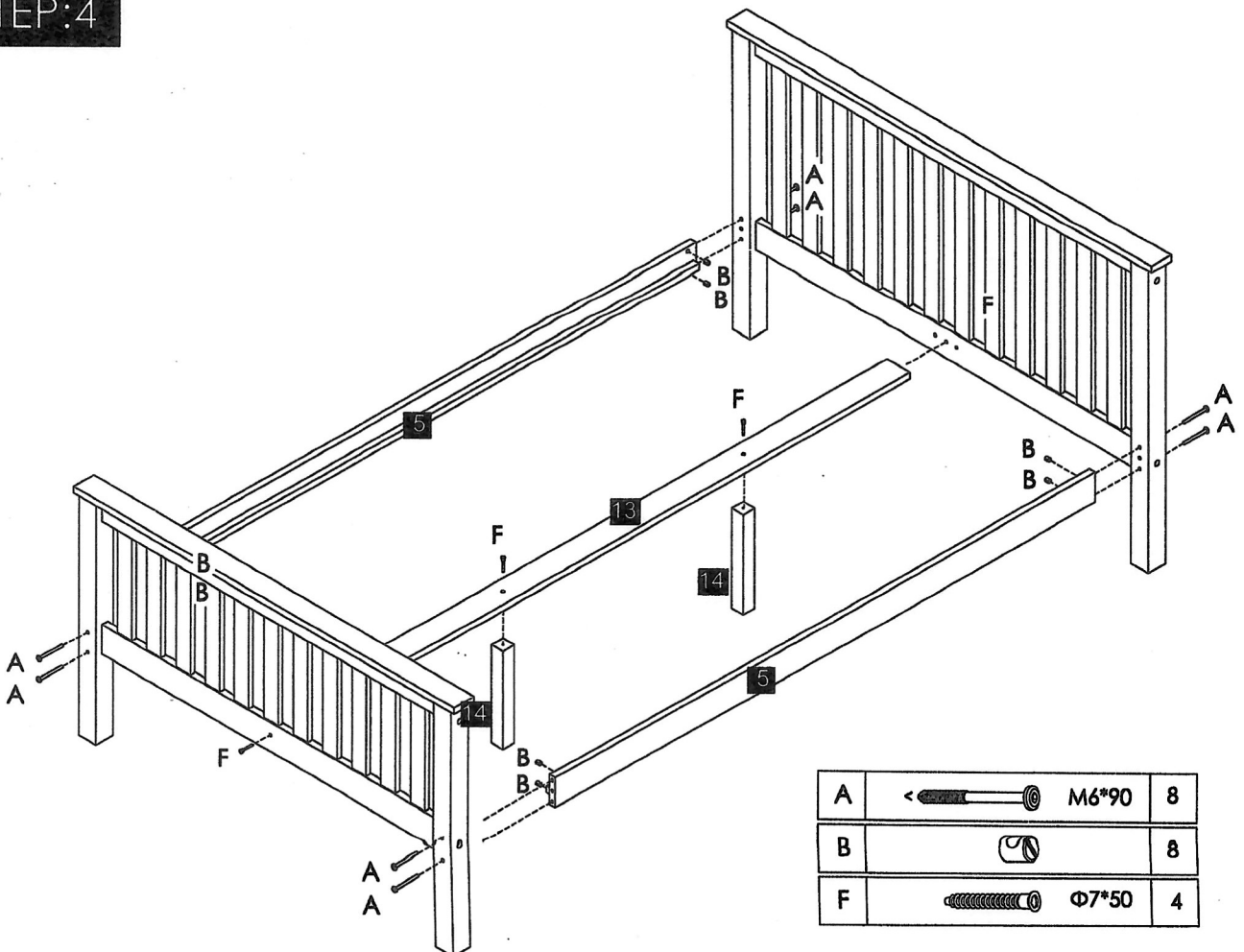


C		Φ8*30	132
E			6

STEP:3



STEP:4



STEP:5

