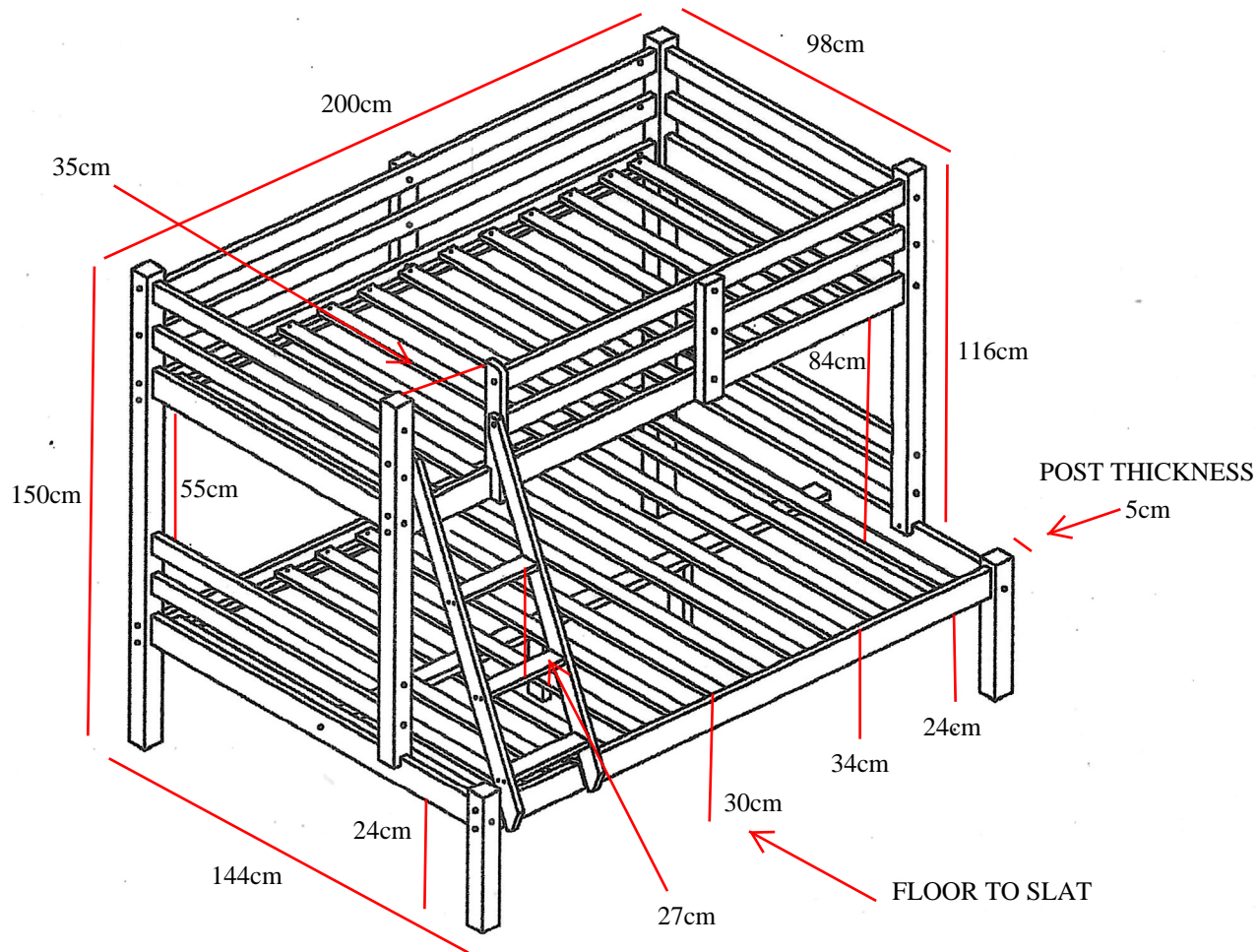


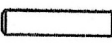




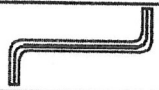








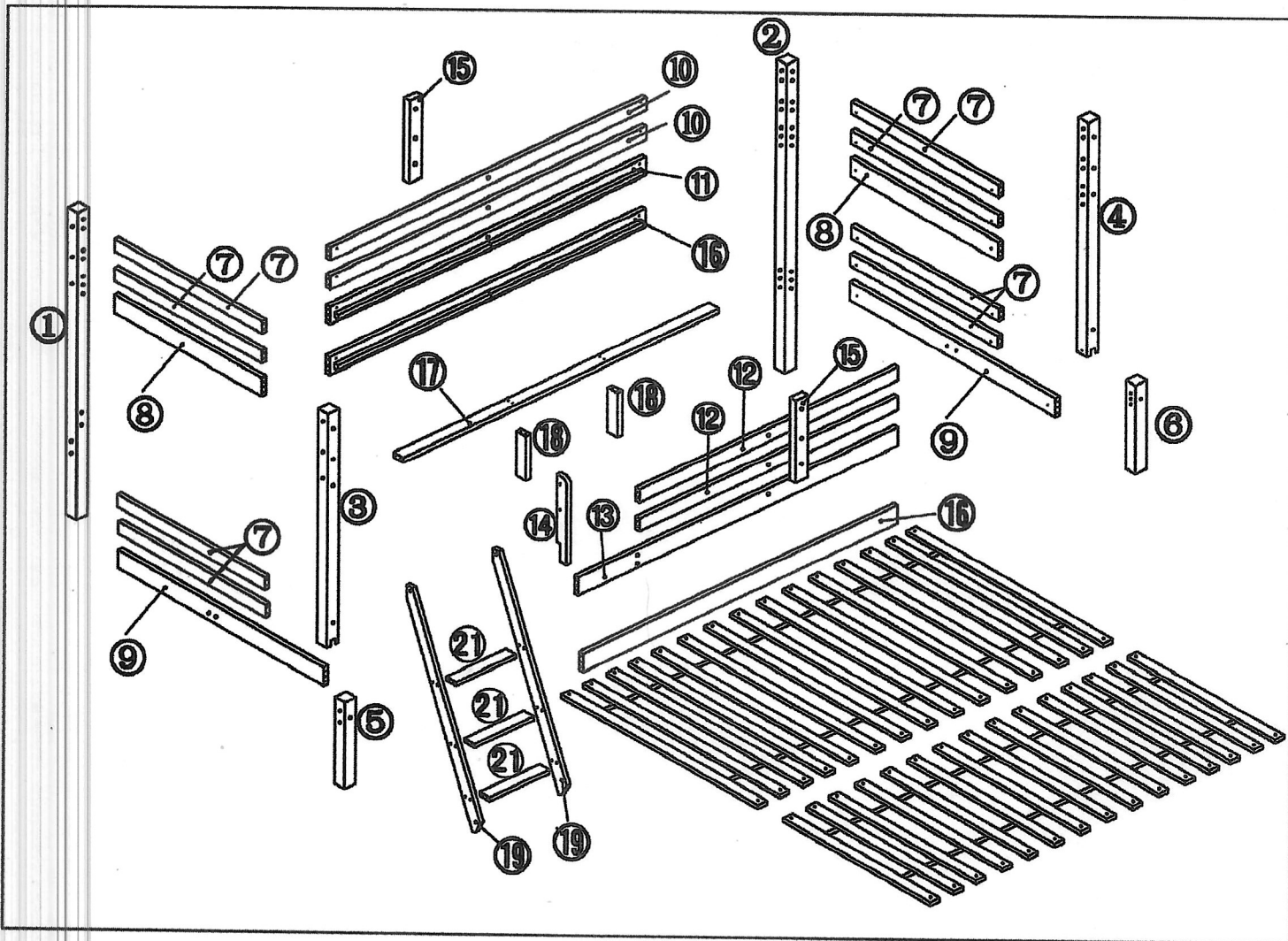
SURREY BUNK BED



Ax47	 M6x90	Bx48	
Cx52	 $\Phi 8 \times 30$	Dx6	 M6x30
Ex16	 $\Phi 7 \times 50$	Fx9	
Gx6	 $\Phi 3.5 \times 16$	Hx2	
Kx77	 $\Phi 4 \times 30$	Jx2	 M6x50
Mx2	 M6x60	Lx2	
Nx57	 $\Phi 18$	Px1	 71.5 mm

IMPORTANT – READ CAREFULLY – RETAIN FOR FUTURE REFERENCE

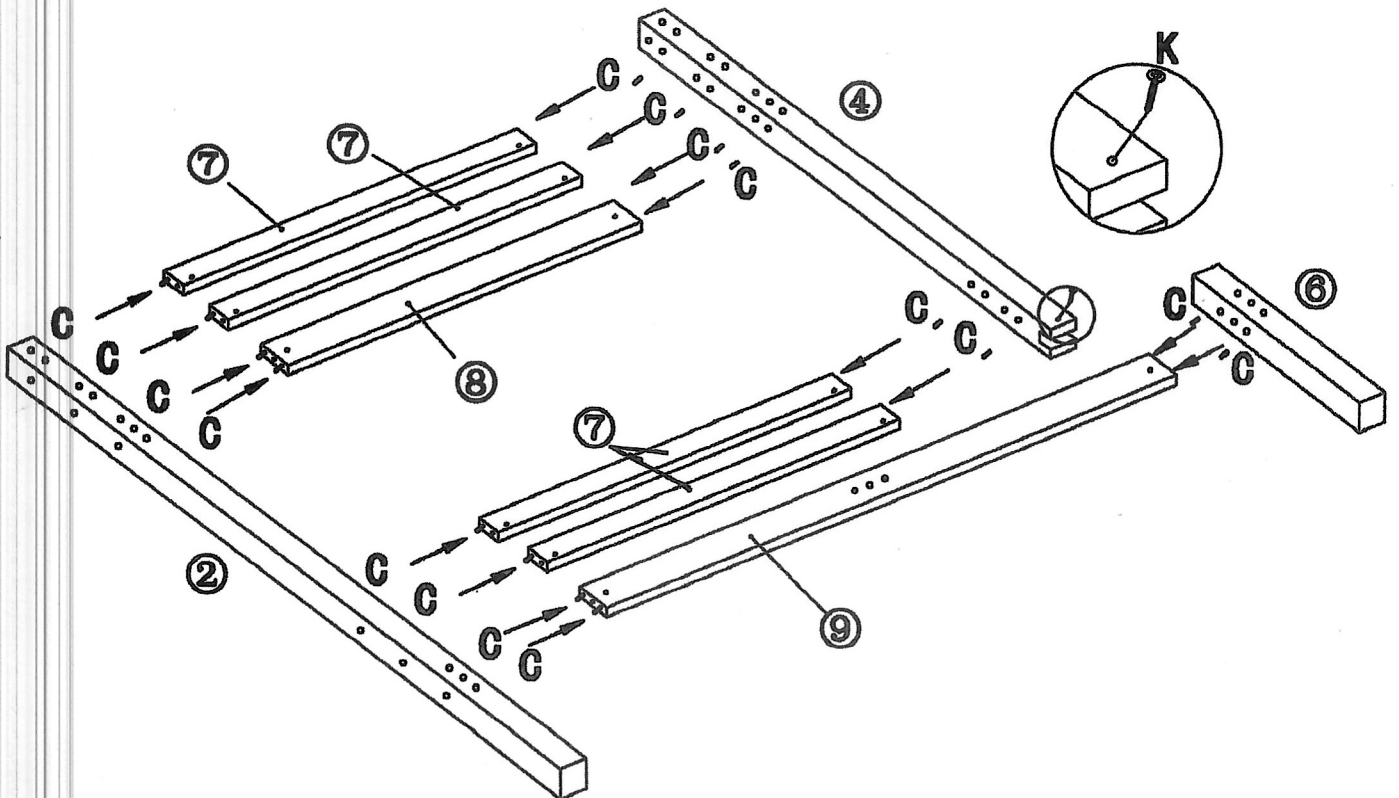
- a) WARNING "High beds and the upper bed of bunk beds are not suitable for children under six years due to the risk of injury from falls";
- b) WARNING "Bunk beds and high beds can present a serious risk of injury from strangulation if not used correctly. Never attach or hang items to any part of the bunk bed that are not designed to be used with the bed, for example, but not limited to ropes, strings, cords, hooks, belts and bags"
- c) WARNING "Children can become trapped between the bed and the wall, a roof pitch, the ceiling, adjoining pieces of furniture (e.g. cupboards) and the like. To avoid risk of serious injury the distance between the top safety barrier and the adjoining structure shall not exceed 75 mm or shall be more than 230 mm";
- d) WARNING Do not use the bunk bed/high bed if any structural part is broken or missing;
- e) always follow the manufacturer's instructions to assemble the bed;
- f) The maximum height of the mattress at least 160mm from the top of the safety barrier.
- g) Recommended size of the mattress: L190 X W90 X H10 CM.the max thickness of the mattress is 120mm
- h) ventilation of the room is necessary in order to keep the humidity low and to prevent mould in and around the bed;
- i) all bunk beds and high beds intended to be assembled by other than the manufacturer or his/her representative shall include assembly instructions including a list of the parts supplied and details of any tools required to assemble the bed;
- j) all assembly fastenings should always be tightened properly and the care should be taken that no fittings are loose.
- k) EN 747-1&2:2012+A1:2015



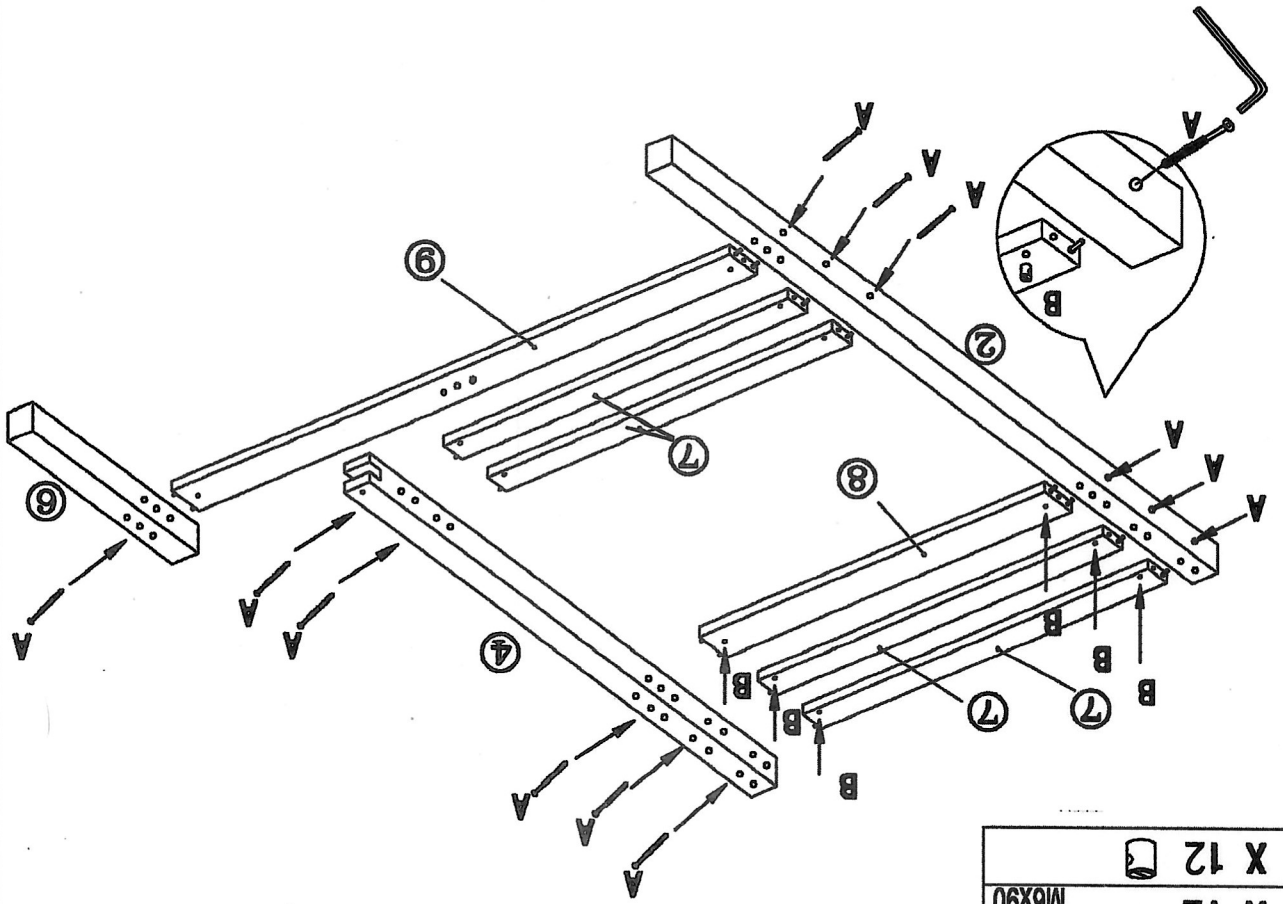
C X 16 $\Phi 8 \times 30$

K X 1 $\Phi 4 \times 30$

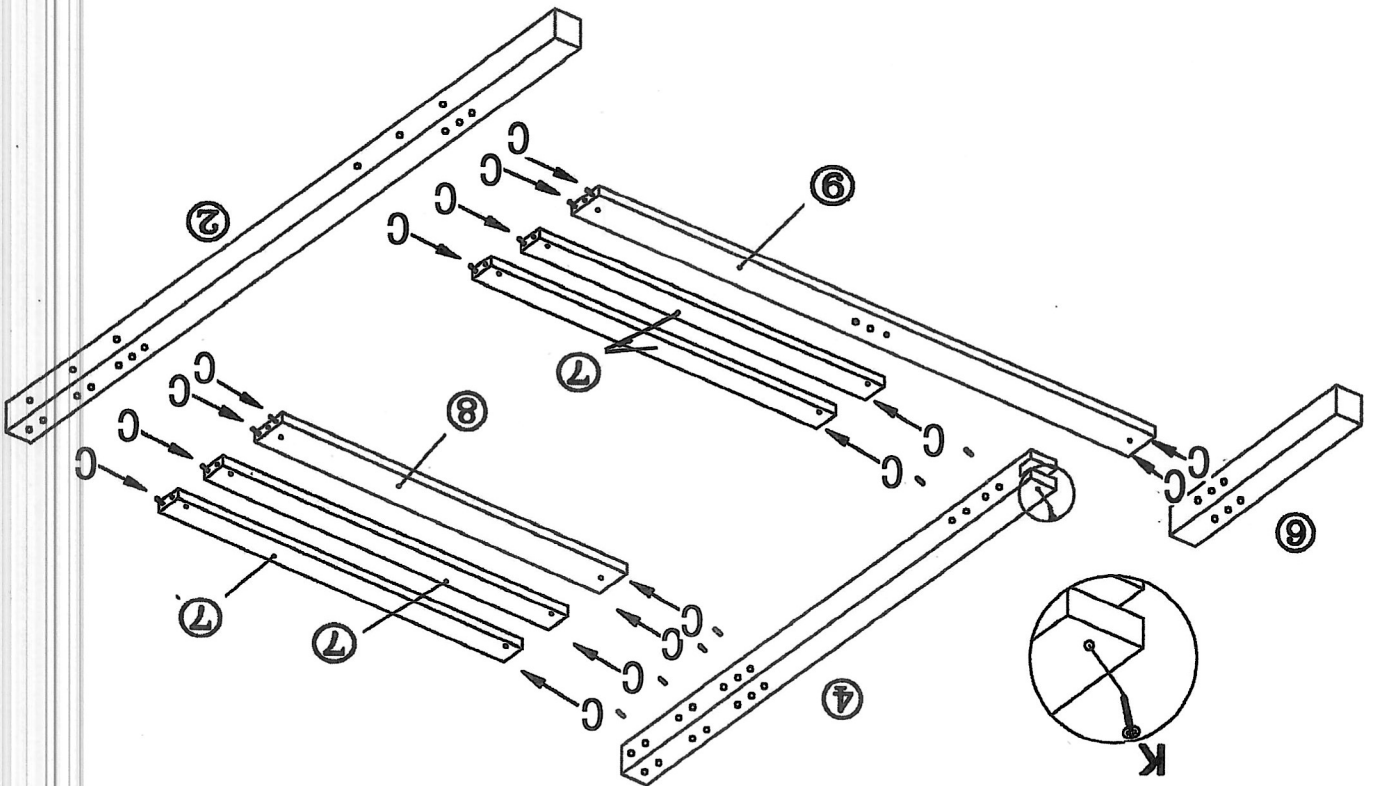
01



03





02

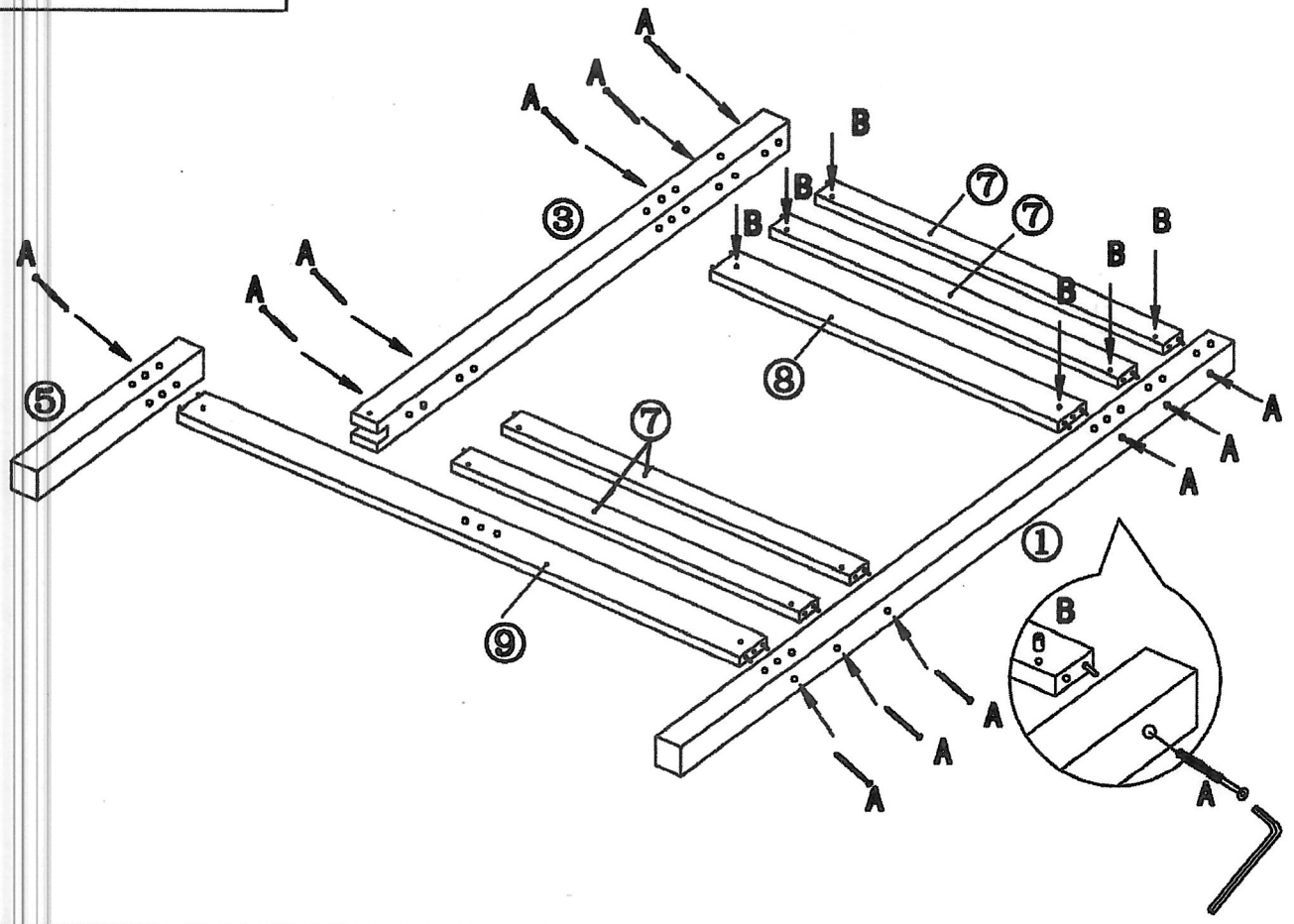


A X 12
M6x90
B X 12

C X 16
Φ8x30
K X 1
Φ4x30

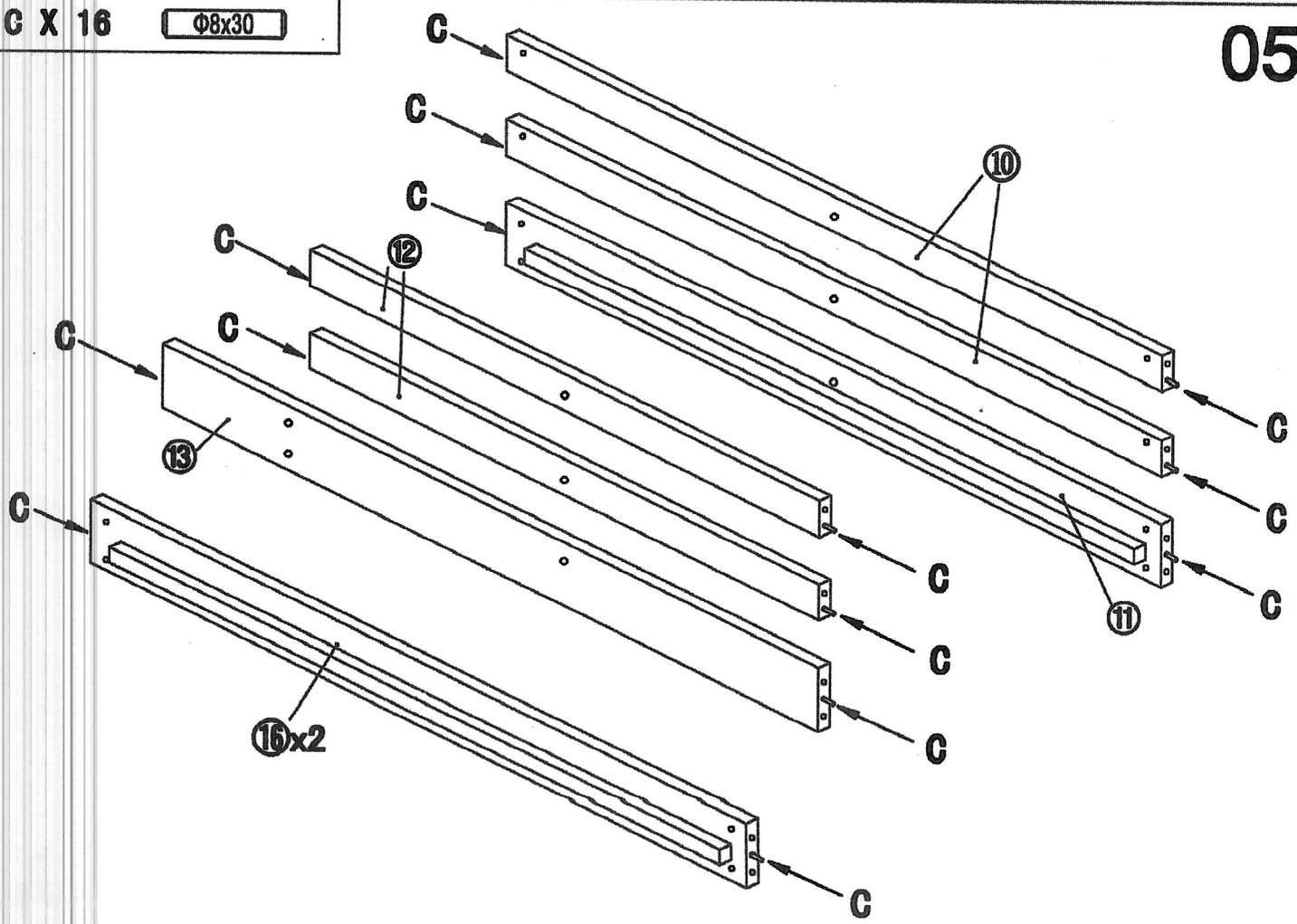
AX 12  M6x90
BX 12 



04



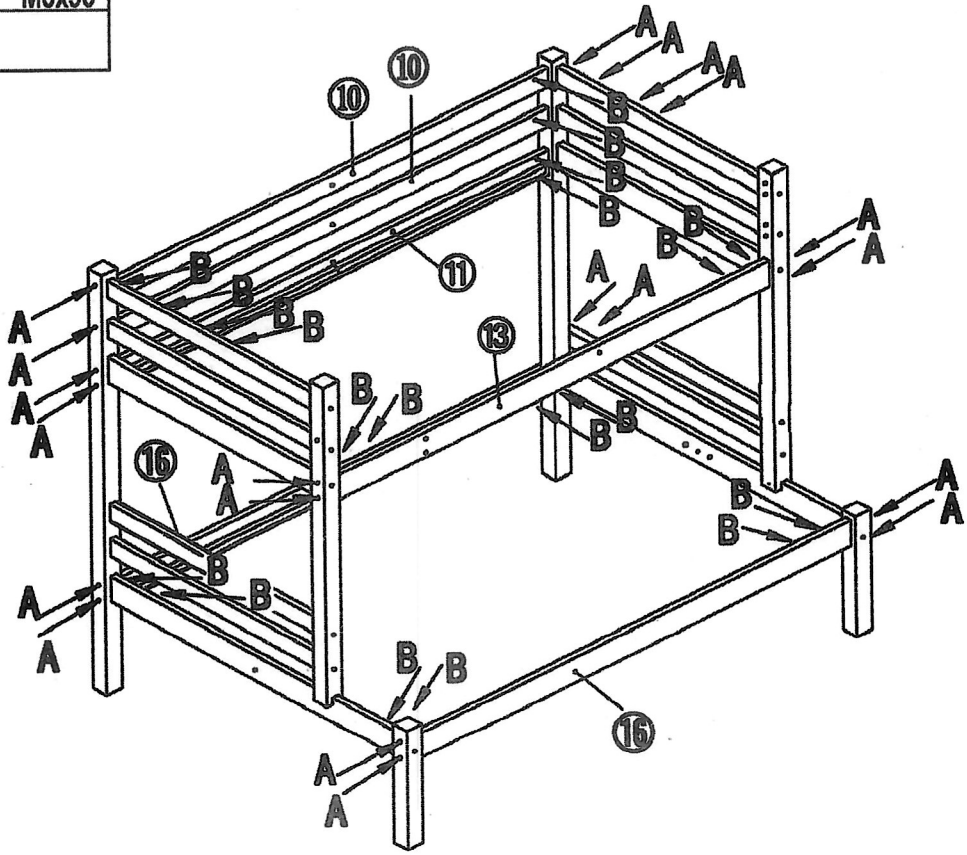
C X 16  Φ8x30



05



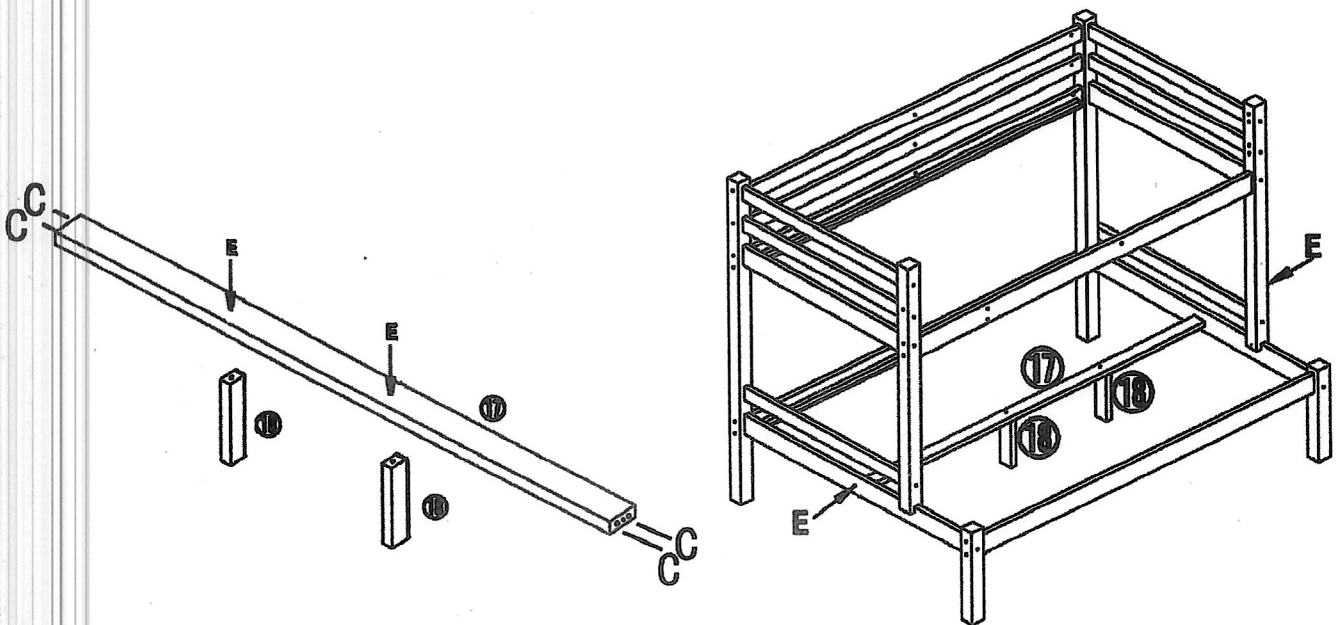
A X 20  M6x90
 B X 20 


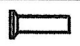


06

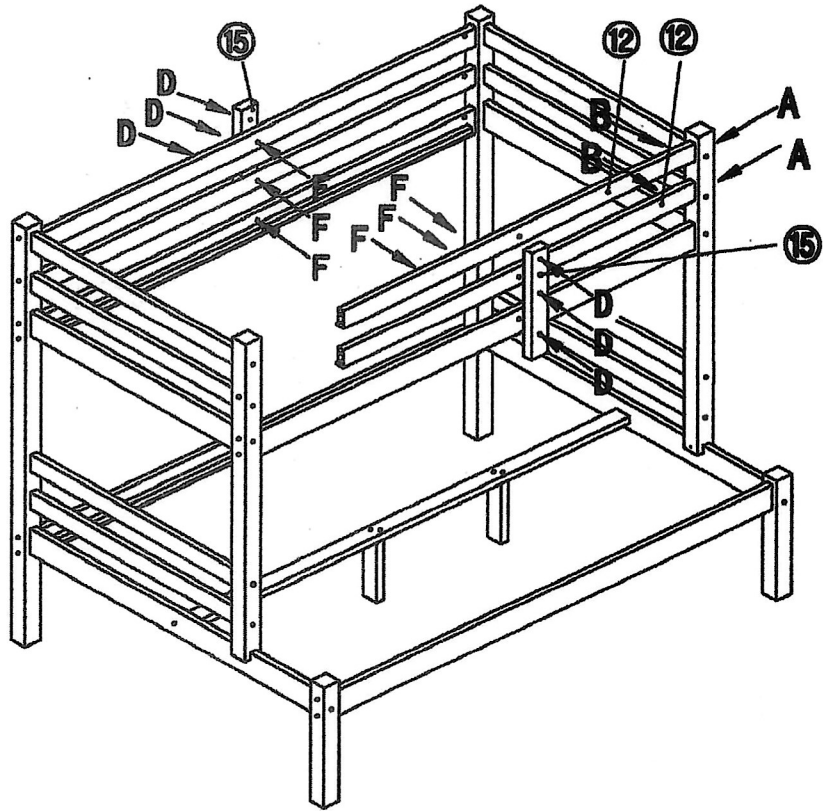



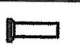


E X 4  $\Phi 7 \times 50$
 C X 4  $\Phi 8 \times 30$

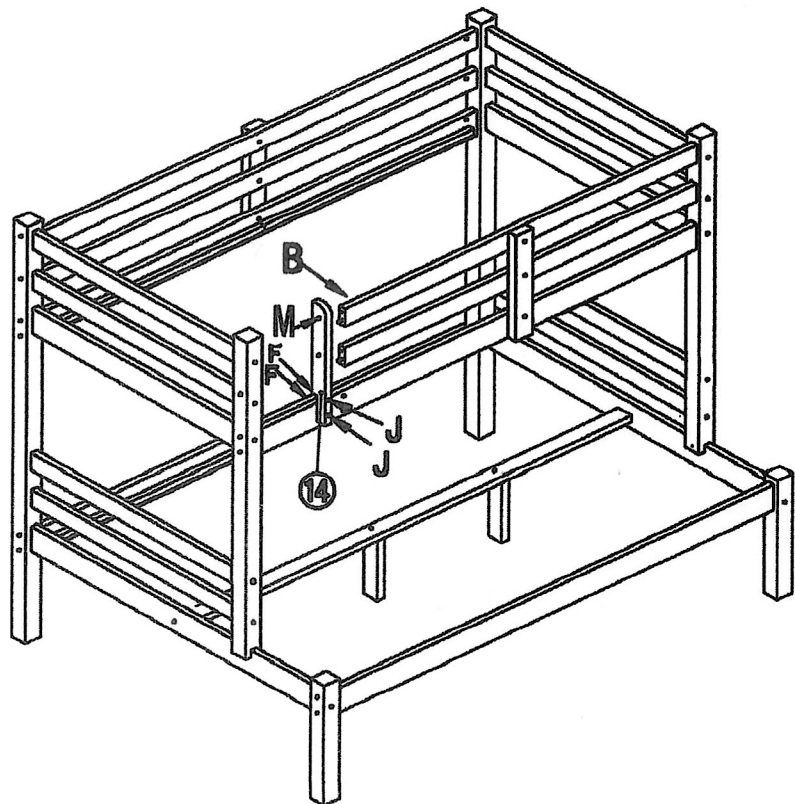
07



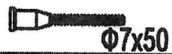
D X 6	 M6x30
F X 6	
A X 2	 M6x90
B X 2	



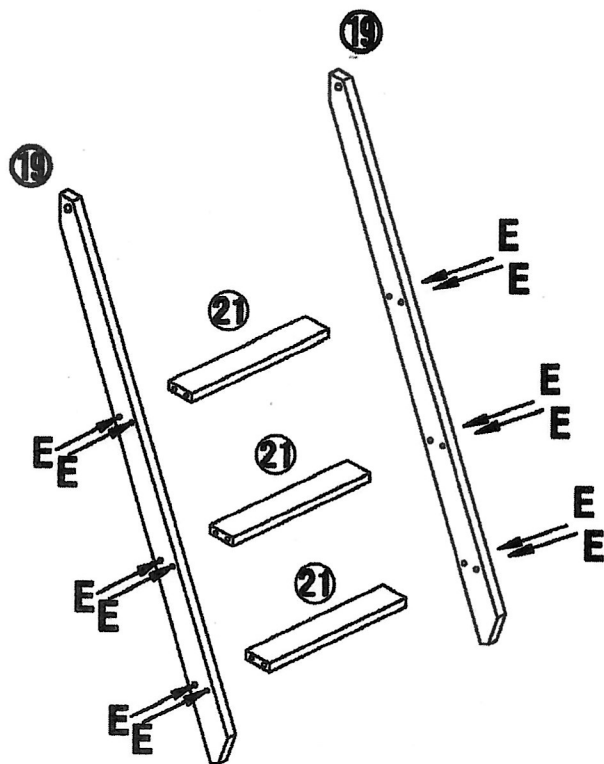
M X 1	 M6x60
F X 2	
J X 2	 M6x50
B X 1	




E X 12



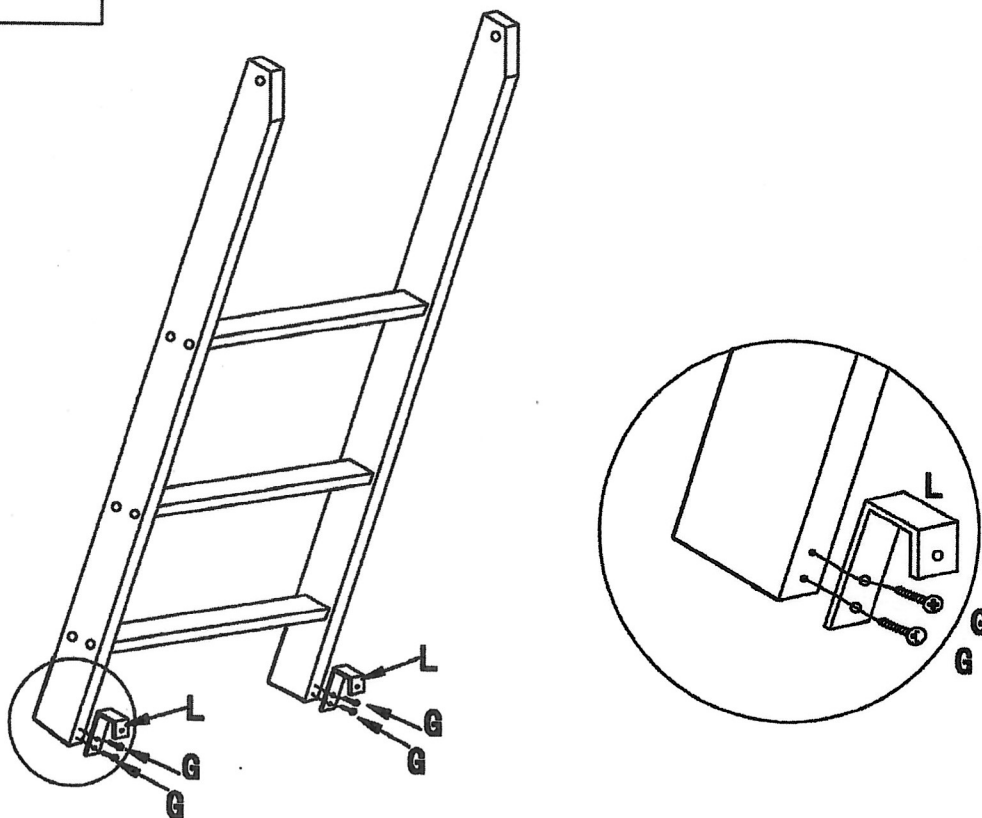
10



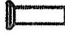





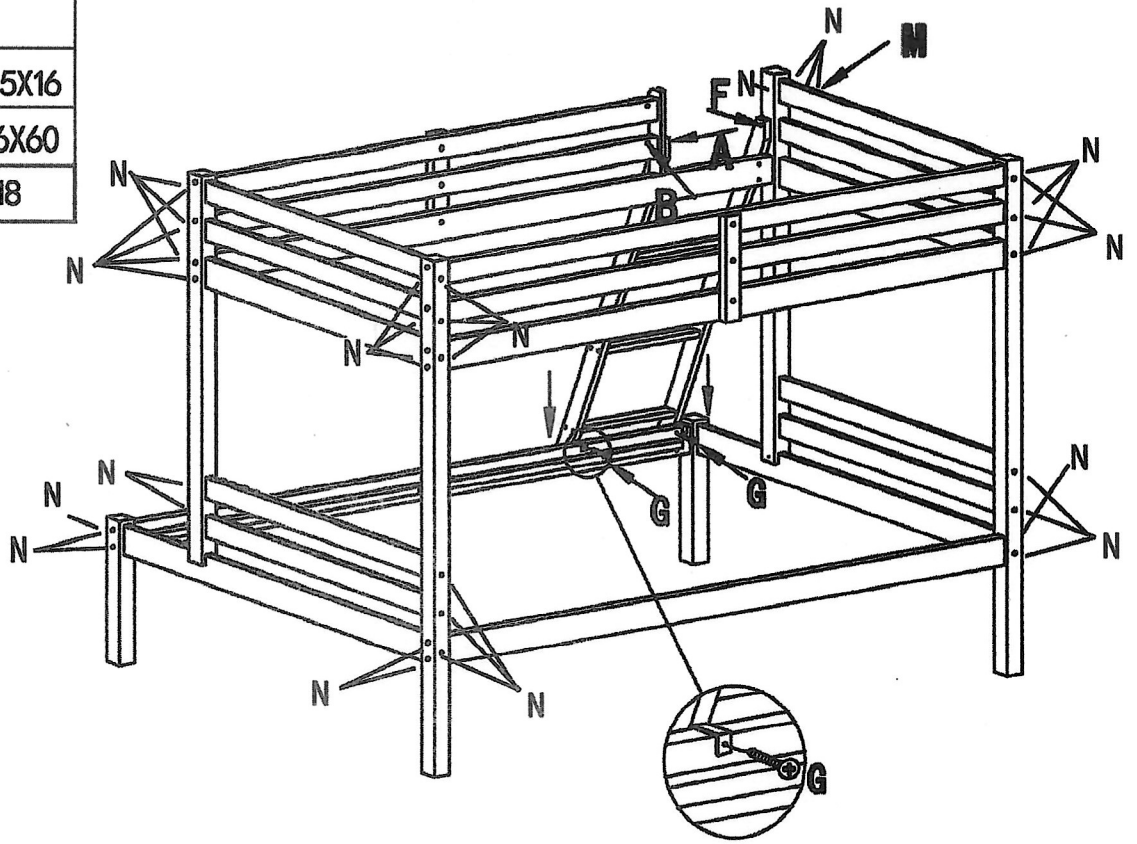
G X 4 



L X 2 

11



A X 1		M6x90
B X 1		
F X 1		
G X 2		φ3.5X16
M X 1		M6X60
N X 57		φ 18



KX75		φ4x30
Px1		71.5 mm

